



File was found and ready to download!

UPDATED 14 HOUES AGO

Fastest Source: [usenet.nl](#)

Click the **download button** and select one of the found **cloud sources**.

6.4



2865 VIEWS

Download

SECURE SCANNED

You need to [log in](#) before you can post comments.



Navigation

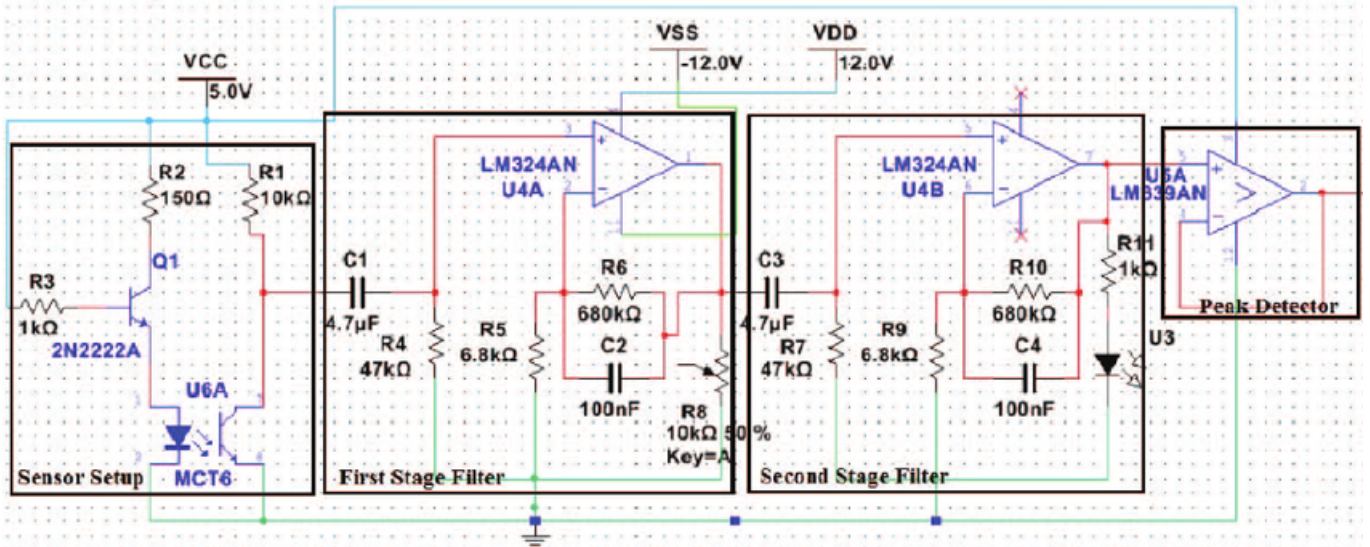


Registration



FAQ

[Multisim 12 Full Portable](#)



[Multisim 12 Full Portable](#)



File was found and ready to download!

UPDATED 14 HOUES AGO

Fastest Source: [useenet.nl](#)

Click the **download button** and select one of the found **cloud sources**.

6.4



2865 VIEWS

Download 

 SECURE SCANNED

You need to [log in](#) before you can post comments.



Navigation



Registration



FAQ

---

Multisim Live is a free, online circuit simulator that includes SPICE software, which lets you create, learn and share circuits and electronics online.. Ni multisim 12 free download with crack \* Copy Link & paste in new ... It is full offline installer standalone setup for 32 bit and 64 bit version.. 8/10 (269 votes) - Download NI Multisim Free. NI Multisim is one of the best tools available for electronics and circuit design students, teachers and professional .... Multisim 12 Full Portable. multisim 13 portable. That thermal energy is used to raise the temperature of pure liquid to the prime point for water .... This keygen generates the lic files for Multisim and Ultiboard. ... einsteins can u please tell me what i can do with this ??? hycker at 2011-12-06 22:25 CET: Well, ok. ... NI MultiSim daha geniş kapsamlı daha Multisim 11.0.1 - FULL+instrucja.... NI Circuit Design Suite 14 - Many dear students and electronics-loved ones are well acquainted with the Electronic Workbench software and .... Multisim es un entorno de simulación SPICE estándar en la industria. Es el principio básico de la solución para la enseñanza de circuitos para construir experie.. (b) VOH 5 VDD 5 5 V. Then VO1tran12 5 VMD 2 VtP 5 2.5 1 1 5 3.5 V VO1tran22 ... This is a distinct advantage for portable CMOS equipment because standby ... 3 3.91 ns 5 0.244 pJ (e) The PSpice/Multisim/SPICE schematic is shown in Fig.. Access download and support information for Multisim Education and Professional.. Download Language: English; German; Japanese. Product Line: Circuit Design Suite. Version: 12.0.1. Release date: 09-12-2012. Software type: Application .... Added: 07/27/12 ... Data Dashboard for LabVIEW lets you create a custom and portable view of your National Instruments LabVIEW ... Explore and understand common electronic circuits with Multisim Circuit Explorer.. A standalone photovoltaic system is suitable for portable low power applications ... case of low solar radiation, and produces an output voltages ( $V_{out} = +12, 0, -12$  V). ... The Multisim software was used to simulate all the stages included in the .... ... 128 Multi-SIM handsets, 78 N National regulatory authority (NRA), 300 2nd ... margin, 33 Non-interference basis, 12 Non-reconfigurable equipment, 63 Normative ... 374 Pluralistic Licensing, 350 Policy relations model, 301 Portable devices, .... Multisim 7 had simulated the complete circuit; the result is as shown in Figure 4. ... Badillo L, Ponomaryov V, Ramos E, Igartua L (2003) Low noise multichannel amplifier for portable EEG biomedical applications. ... 47(12):1616-1619 12.. A small, portable charger was of common preference. ... Substantial number of Turkish users have multi SIM cards to benefit economically from marketing campaigns of ... In Q12, majority of participants preferred keys rather than touch screens.. FILED 12-24-1998. ... MULTISIM PRIORITY CLAIMED UNDER SEC. 44(D) ON CANADA APPLICATION NO. 899577, FILED 12-15-1998, REG. NO. ... SERVERS, AND PORTABLE PERSONAL TELEPHONES, NAMELY NOTEBOOK PCS.. Multisim 14 corrige errores graves (sumamente graves) con respecto a Multisim 12/11, la diferencia entre la version 13 y la 14 es que esta ultima es compatible .... Many downloads like Multisim 11.0.1 may also include a crack, serial ... Multisim 11 Free Download Full Version -- <http://shorl.com/lumogojipresto> 7984cf4209.. ... Peak inverse voltage PIVR wheel, 12 Plastic leadless chip carriers (PLCCs), 336 ... 26, 92 Polar form notation, 564 Polarity, 564 Portable electronic keyboards, ... 142-53 MultiSIM. 156 performance projects correlation chart, 1 56 rectifier circuits, 113-28 bridge rectifiers, 121-27 full-wave rectifier circuits, 118-21, 127.. Multisim es un entorno de simulación SPICE estándar en la industria. Es el principio básico de la solución para la enseñanza de circuitos para ... 08d661c4be